

4

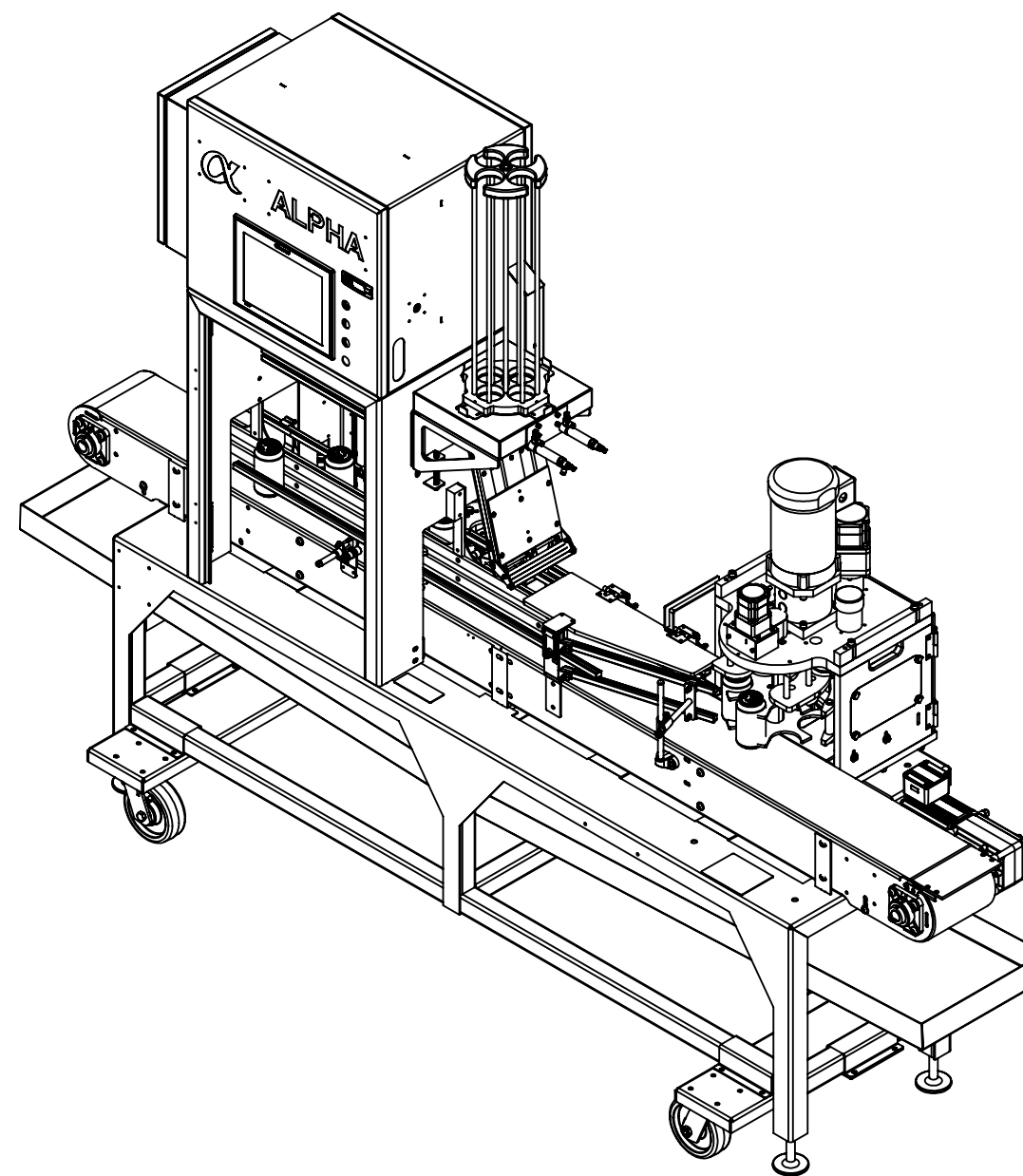
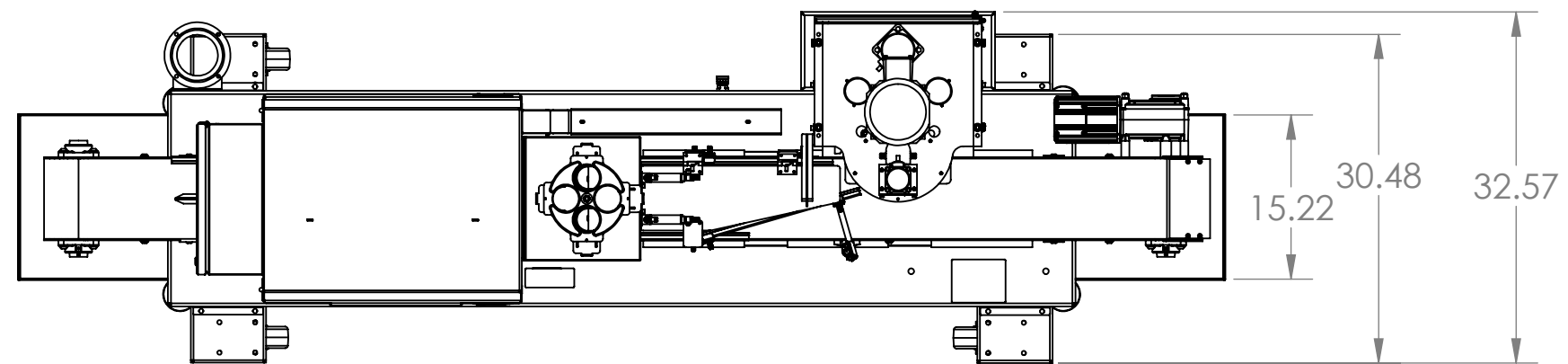
3

2

1

D

D

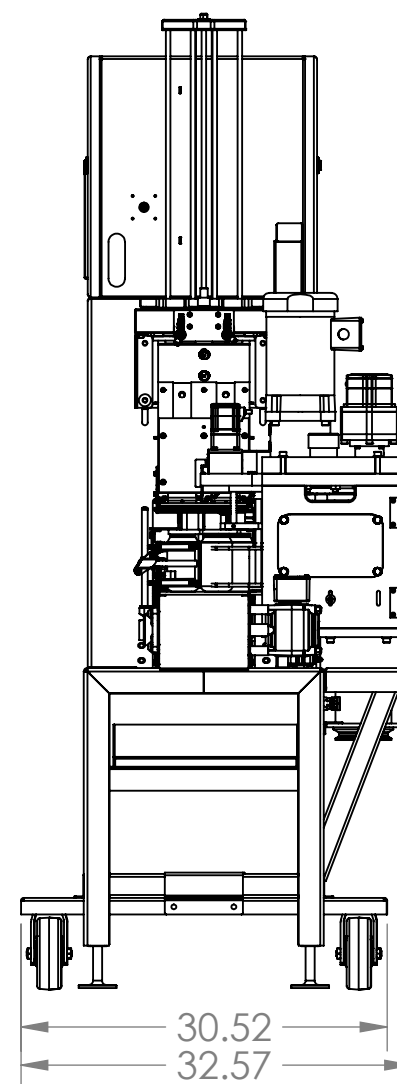
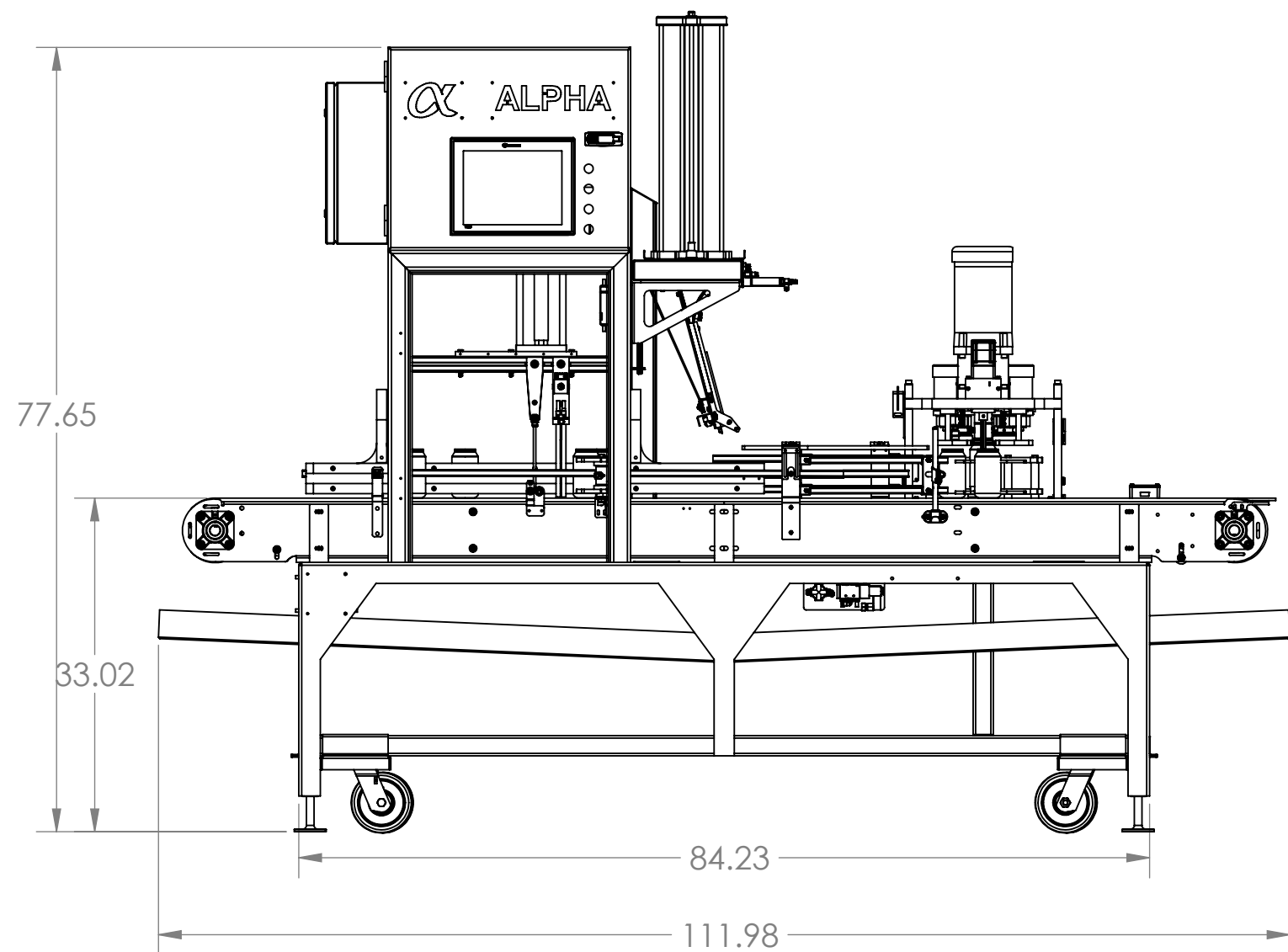


C

C

B

B



A

A

4

3

2

1

UNLESS OTHERWISE SPECIFIED:
 DIMENSIONS ARE IN INCHES
 TOLERANCES:
 FRACTIONAL ±1/16
 ANGULAR: MACH ±0.2° BEND ±1.0°
 TWO PLACE DECIMAL ±0.02
 THREE PLACE DECIMAL ±0.003

INTERPRET GEOMETRIC TOLERANCING PER ANSI

MATERIAL

DRAWN

DO NOT SCALE DRAWING



SCALE: 1:16

WEIGHT:

PROPRIETARY AND CONFIDENTIAL

THE INFORMATION CONTAINED IN THIS DRAWING IS THE SOLE PROPERTY OF ALPHA BREWING OPERATIONS. ANY REPRODUCTION IN PART OR AS A WHOLE WITHOUT THE WRITTEN PERMISSION OF ALPHA BREWING OPERATIONS IS PROHIBITED.

TITLE:		DWG. NO.		SIZE	REV
				C	
				SHEET 1 OF 1	