

THE HALF PINT MOBILE DEPALLETIZER

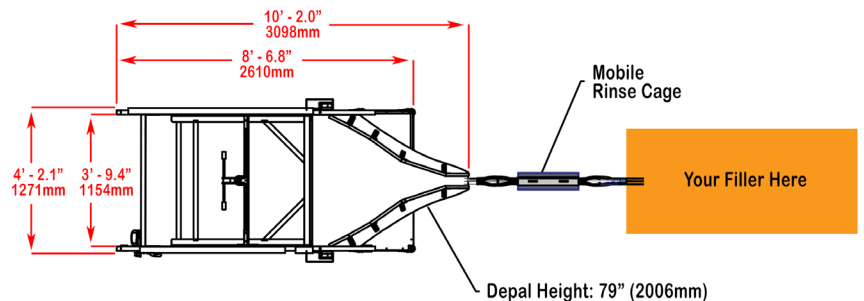


“A TRUE MOBILE DEPALLETIZER PROVEN UNDER MOBILE WORKING CONDITIONS”

The **Half Pint** mobile depalletizer is designed for mobile canners and breweries with tight space restrictions. There is no installation required, making this depalletizer a great option for small breweries and international locations. Works with half pallets of aluminum, plastic or composite containers and is specifically designed for low clearance applications such as box trucks or low ceiling heights.

STANDARD FEATURES

- Stainless steel and lightweight aluminum construction
- Depalletizes multiple sized packages of aluminum, plastic or composite containers
- Speeds from 10 CPM up to 60 CPM
- Minimal air consumption (<1 CFM @30 PSI) (<.03cmm @ 2 Bar)
- Fully automated once pallet is inserted into the machine & the straps & tier frame are removed
- 110V or 208V - 240V single or 3 phase @ 50/60 HZ
- Lightweight with wheels for easy movement
- Designed for low clearance applications
- No installation required
- Tool box & storage area
- Includes one rinse cage



CONTACT INFO

For Sales

Call: (402) 474-BREW

Email: info@alphabrewops.com

Other Inquiries

Call: (402) 474-BREW

Email: info@alphabrewops.com

Online: www.alphabrewops.com

World Headquarters

5401 Alvo Rd

Lincoln, Ne 68514

