

4

3

2

1

D

D

C

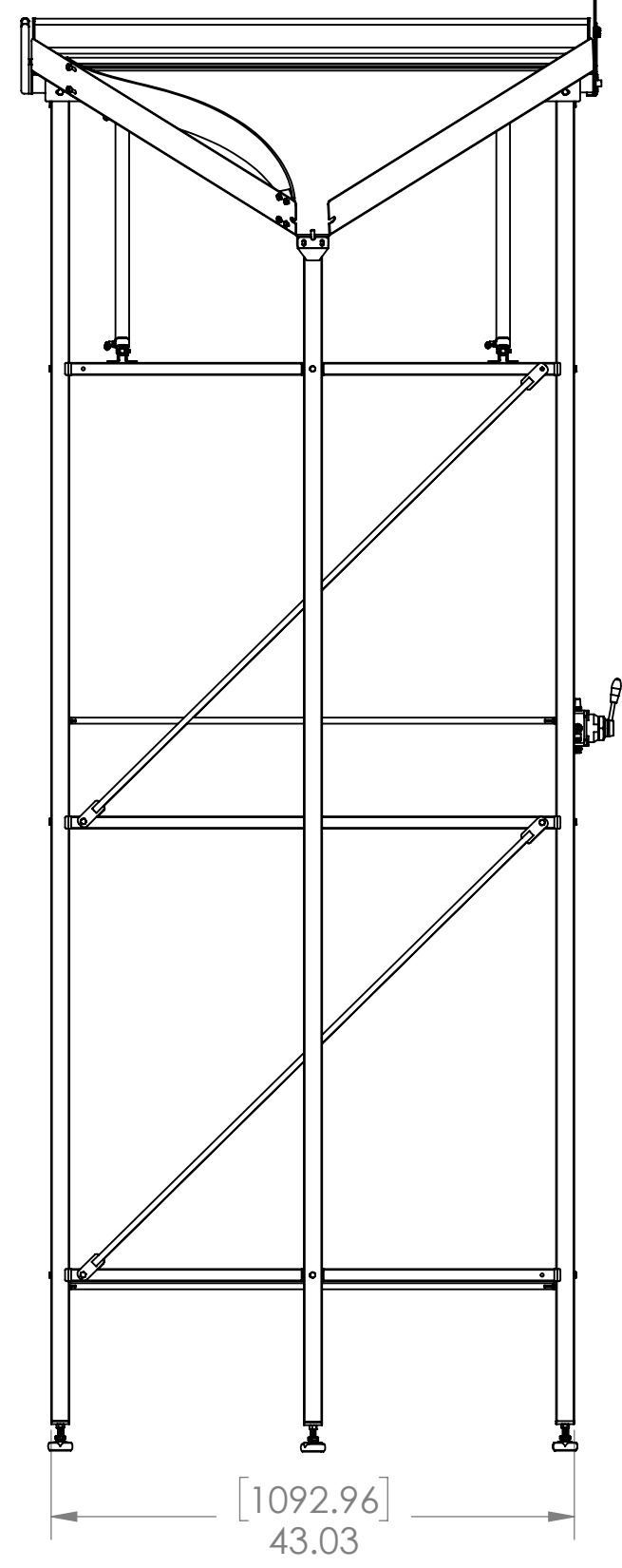
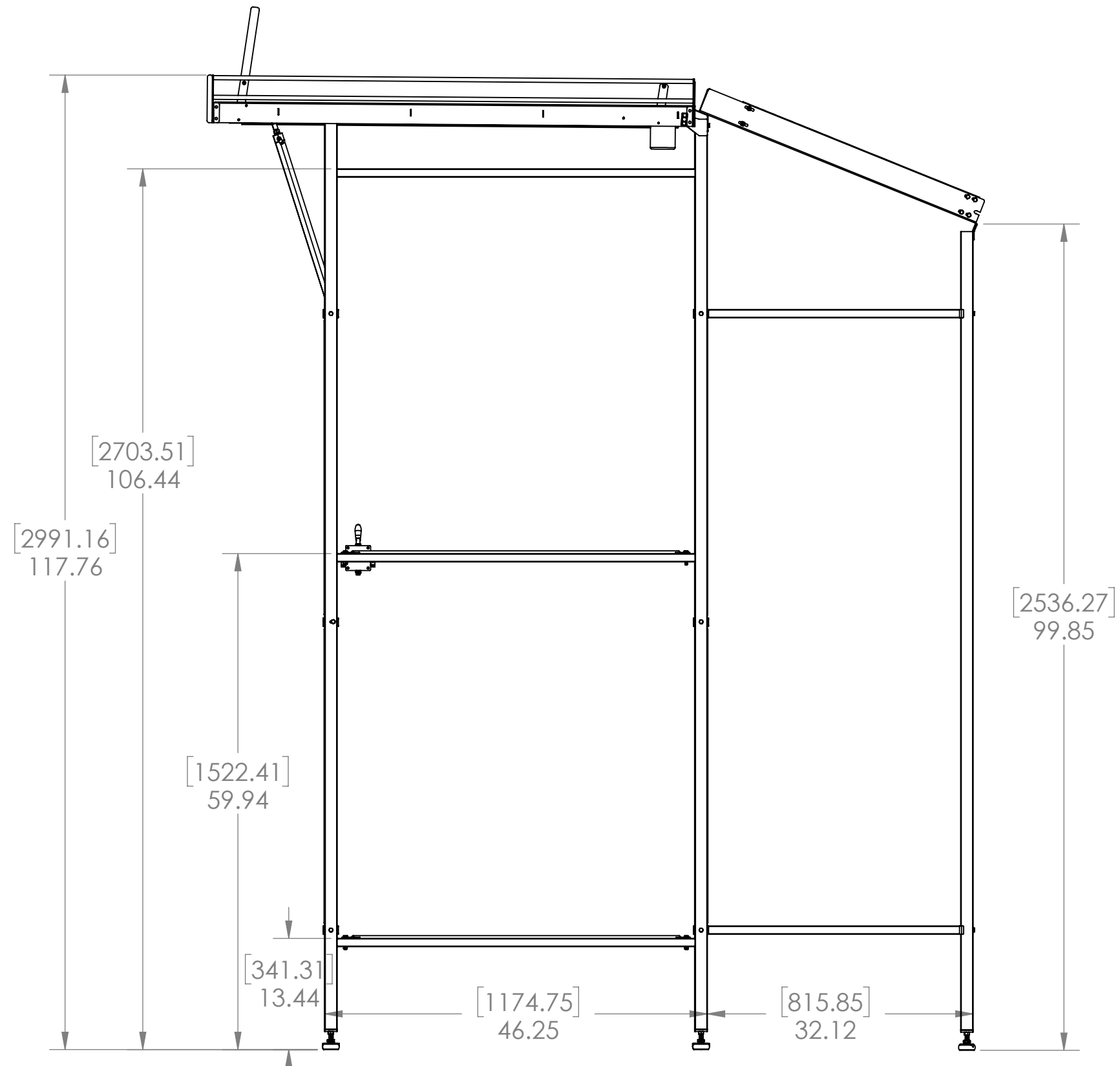
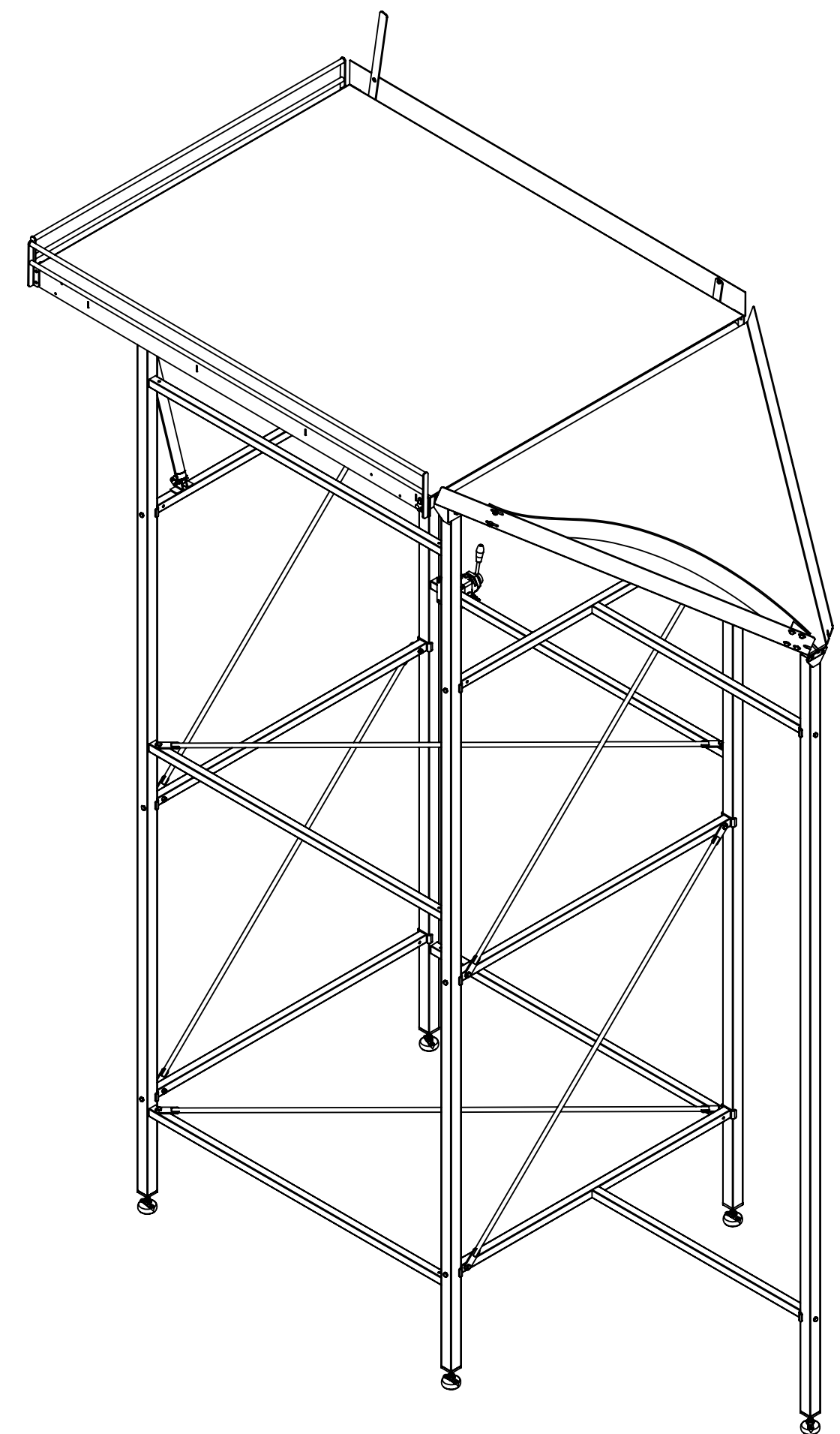
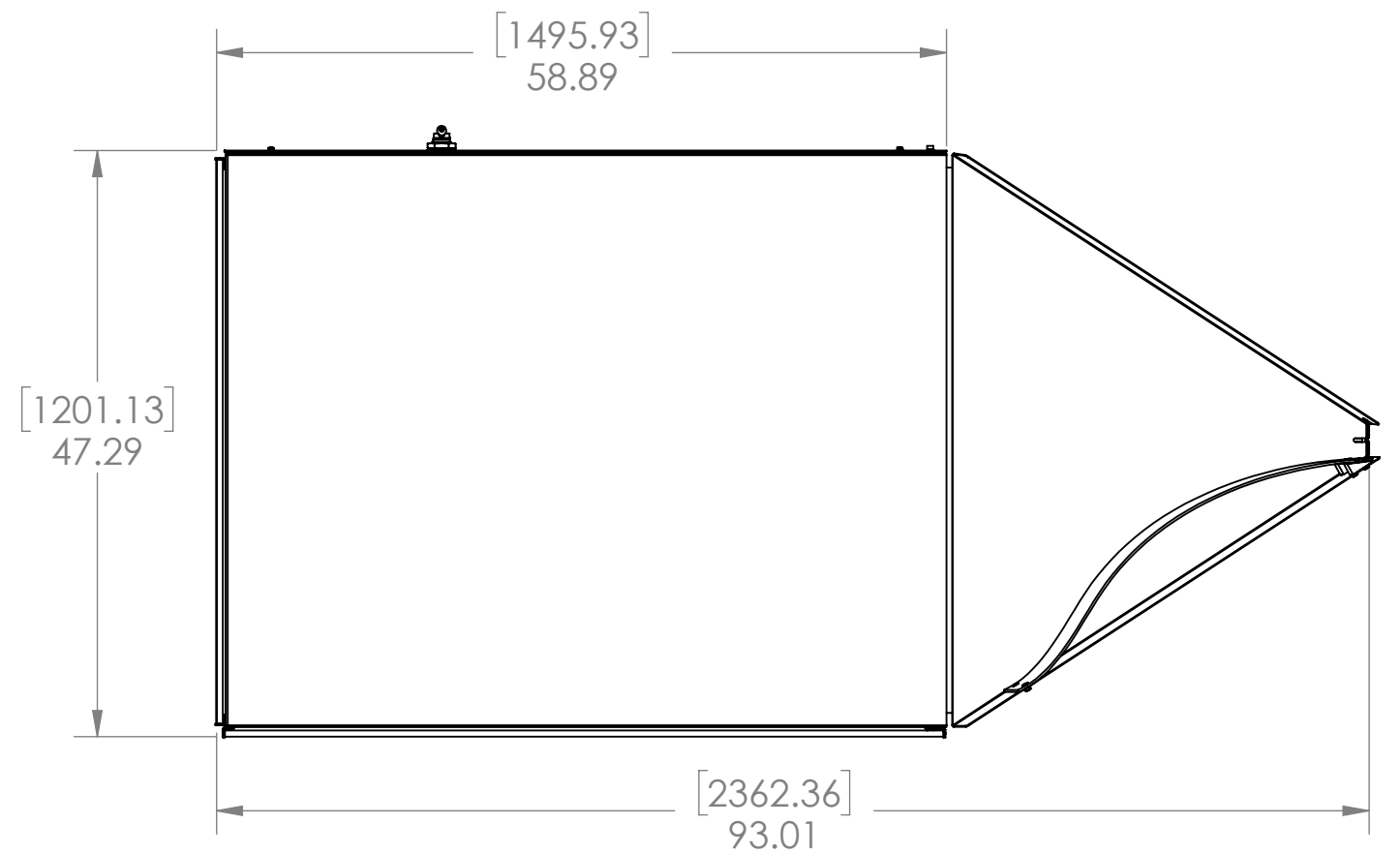
C

B

B

A

A



UNLESS OTHERWISE SPECIFIED:		 ALPHA BREWING OPERATIONS LINCOLN, NEBRASKA	TITLE: FULL WHALE TAIL		
DIMENSIONS ARE IN INCHES			SCALE: 1:15	DWG. NO. WT-A000	
TOLERANCES:			WEIGHT:	SIZE: C	REV: -
FRACTIONAL: ±1/16			THE INFORMATION CONTAINED IN THIS DRAWING IS THE SOLE PROPERTY OF ALPHA BREWING OPERATIONS. ANY REPRODUCTION IN PART OR AS A WHOLE WITHOUT THE WRITTEN PERMISSION OF ALPHA BREWING OPERATIONS IS PROHIBITED.		
ANGULAR: MACH ±0.2° BEND ±1.0°		SHEET 1 OF 1			
TWO PLACE DECIMAL ±0.02					
THREE PLACE DECIMAL ±0.003					
INTERPRET GEOMETRIC TOLERANCING PER ANSI					
MATERIAL: SEE ASSEMBLY					
DRAWN: DO NOT SCALE DRAWING					

4

3

2

1