

4

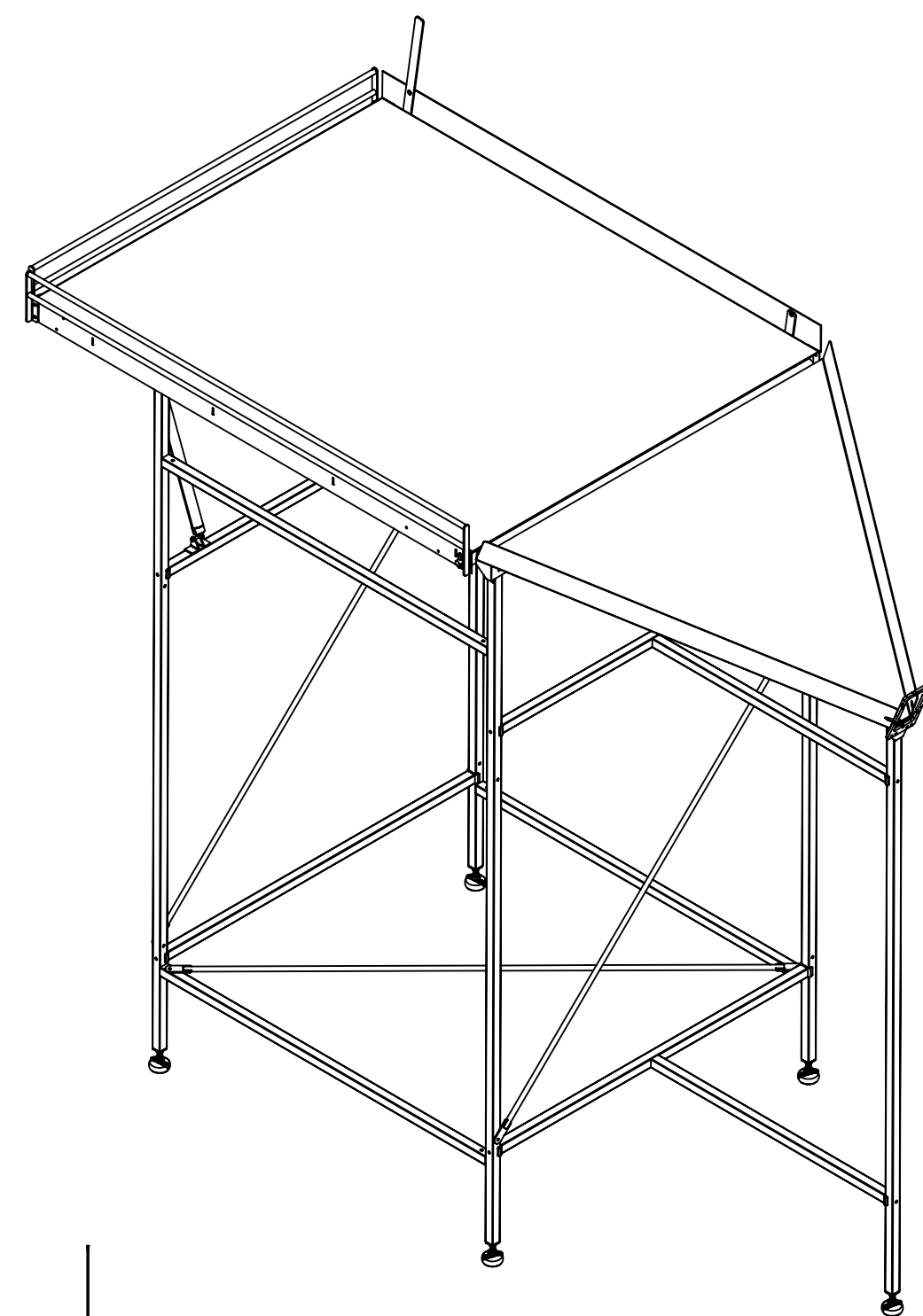
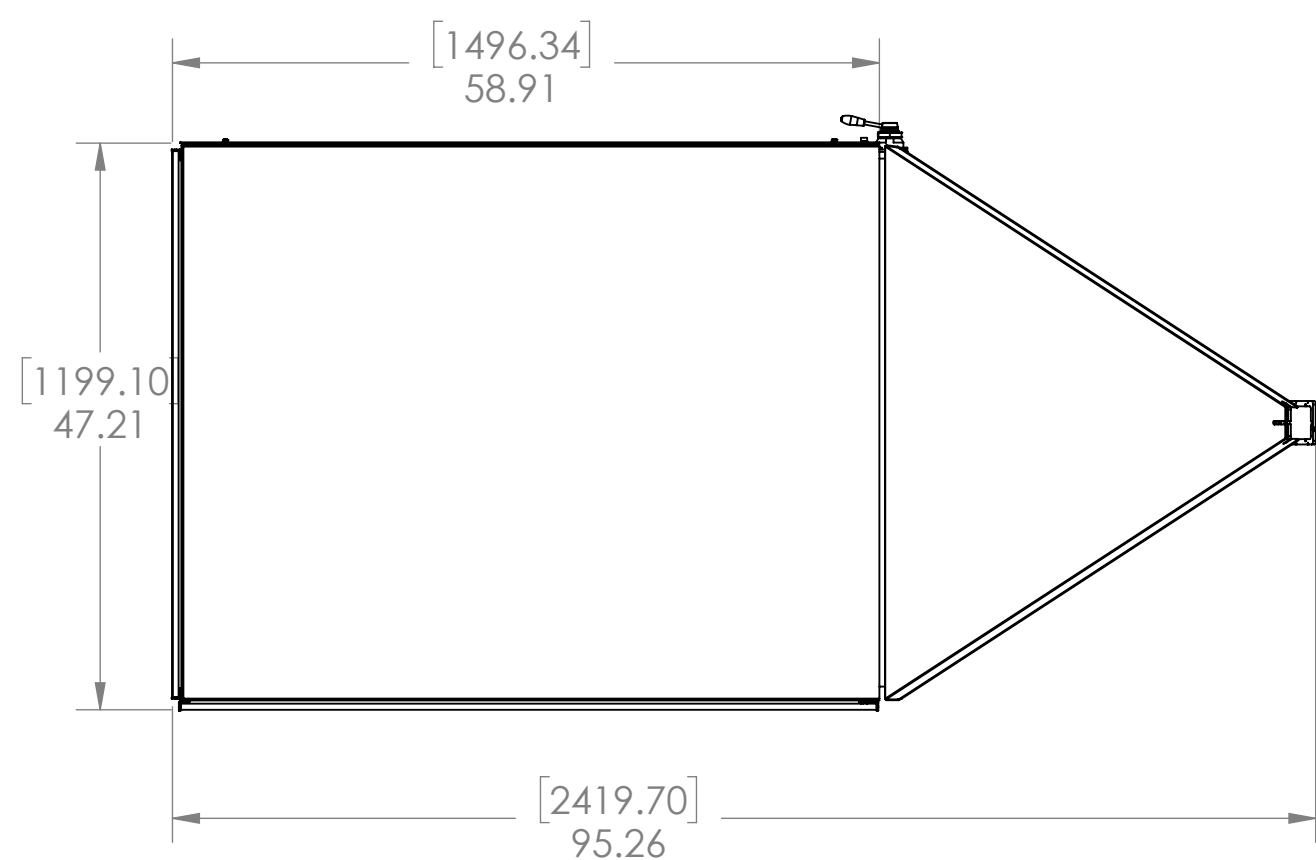
3

2

1

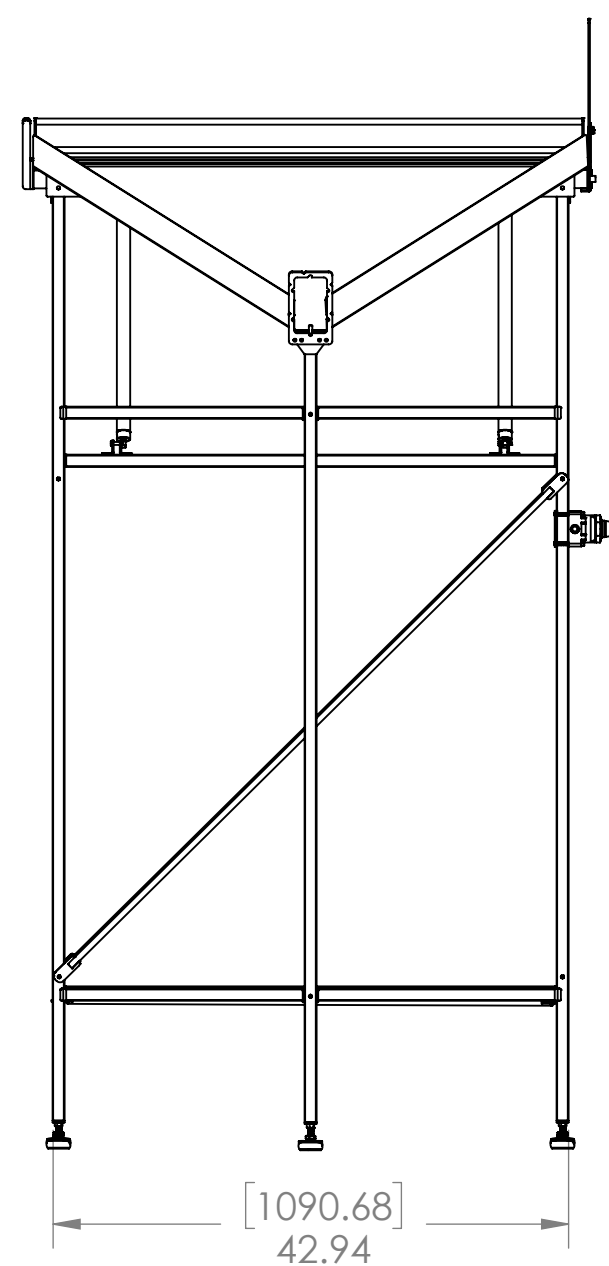
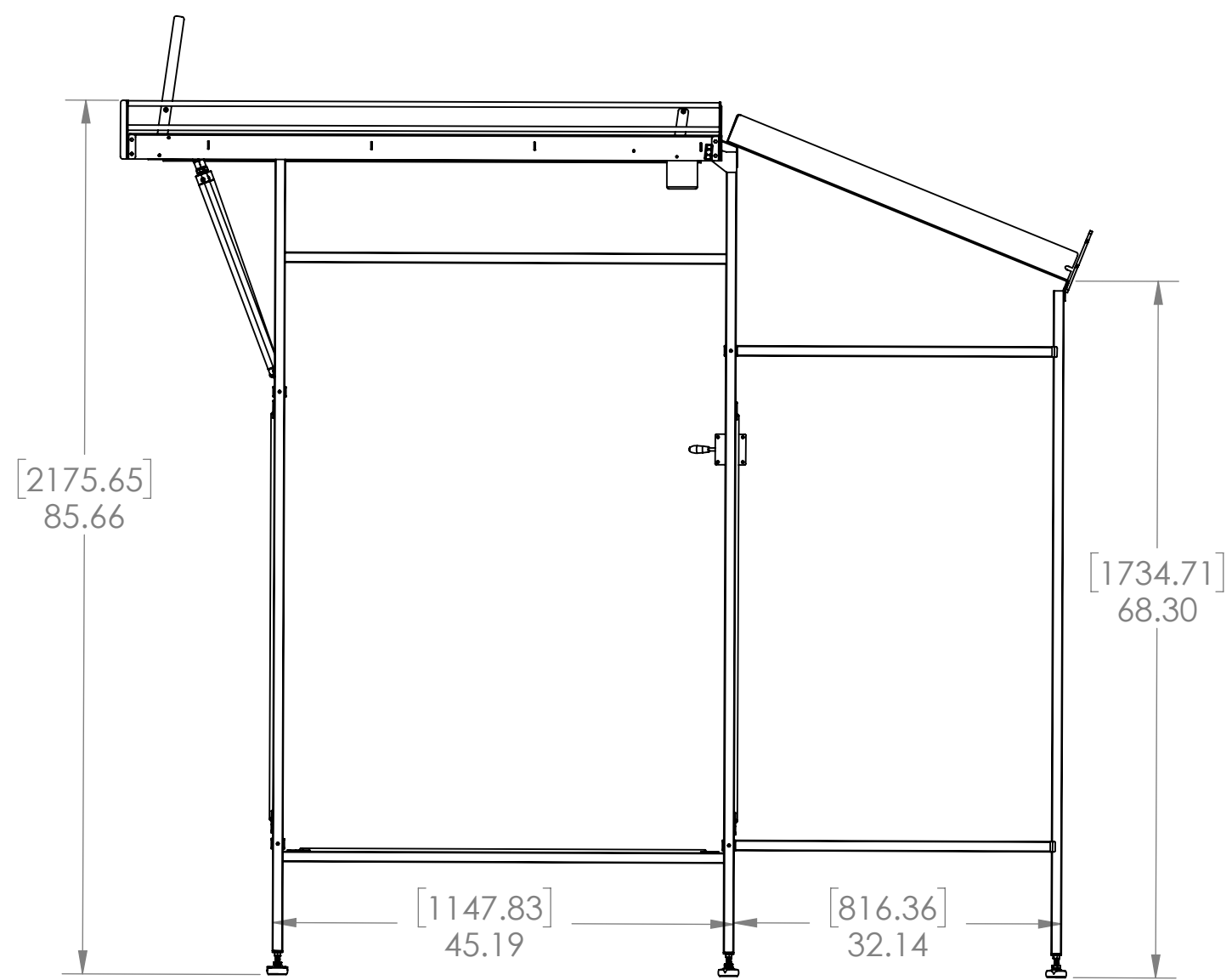
D

D



C

C



B

B

A


A

4

3

2

1

UNLESS OTHERWISE SPECIFIED:		 <b>ALPHA</b> BREWING OPERATIONS <small>WORKING TOGETHER</small>	TITLE: <b>SHORT WHALE TAIL</b>	
DIMENSIONS ARE IN INCHES			LINCOLN, NEBRASKA	
TOLERANCES:			SCALE: 1:16	
FRACTIONAL ±1/16			WEIGHT:	
ANGULAR: MACH ±0.2° BEND ±1.0°		<b>PROPRIETARY AND CONFIDENTIAL</b> THE INFORMATION CONTAINED IN THIS DRAWING IS THE SOLE PROPERTY OF ALPHA BREWING OPERATIONS. ANY REPRODUCTION IN PART OR AS A WHOLE WITHOUT THE WRITTEN PERMISSION OF ALPHA BREWING OPERATIONS IS PROHIBITED.		
TWO PLACE DECIMAL ±0.02		DWG. NO. <b>WT-A000</b>		
THREE PLACE DECIMAL ±0.003		SIZE <b>C</b>		
INTERPRET GEOMETRIC TOLERANCING PER ANSI		REV <b>-</b>		
MATERIAL <b>SEE ASSEMBLY</b>		SHEET 1 OF 1		
DRAWN				
DO NOT SCALE DRAWING				